

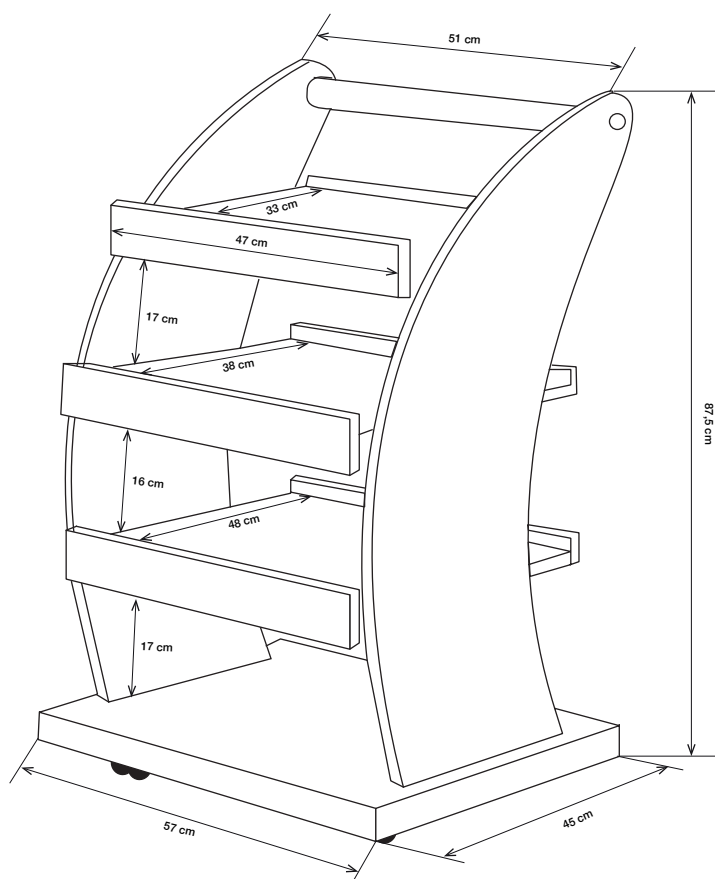


Fact sheet

Description

The Side Table VI is sturdy and functional. The upper shelf is fixed in place, the two lower shelves can be pulled out. The durable white melamine surface is easy to clean. The side table rolls on casters.

Width	57 cm
Depth	45 cm
Height	87,5 cm
Weight	25 kg
Top shelf	33 x 47 cm
2nd and 3rd shelf	47 x 38 cm
2nd and 3rd shelf	can be pulled out



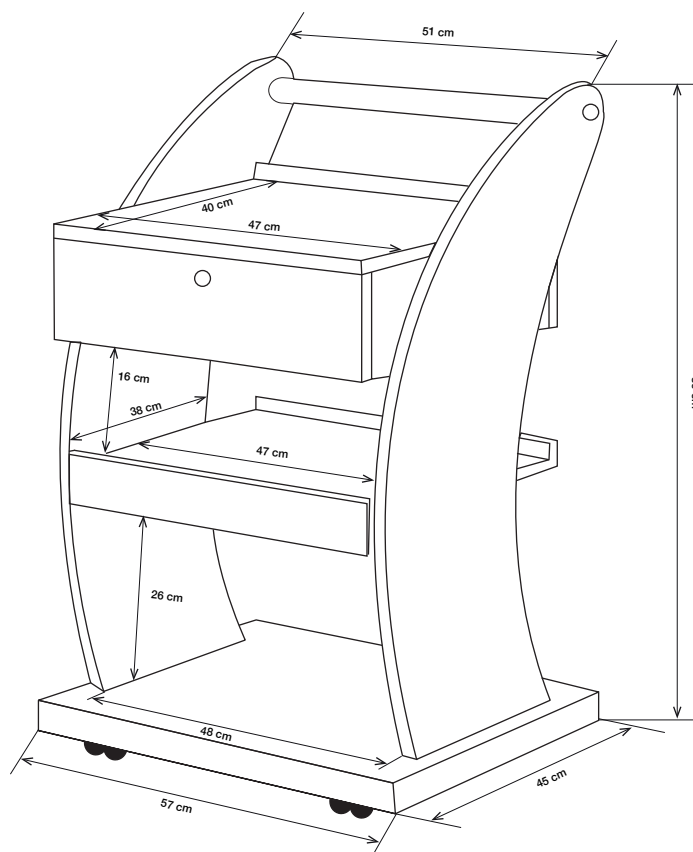


Fact sheet

Description

The Side Table X is durable and functional, with a hard-wearing white melamine surface that is easy to clean. Under the top shelf is a lockable drawer with plenty of storage space. The shelf underneath can be pulled out. The table sits on rollers.

Width	57 cm
Depth	45 cm
Height	86 cm
Weight	25 kg
Top shelf	40 x 47 cm
2nd and 3rd shelf	47 x 38 cm
2nd shelf	extendable





Fact sheet

Description

The Luxury 2 Side Table White/Gold is a real eye-catcher with its distinctive, stylish design. The white high-gloss lacquer, in combination with the gold-plated metal fittings (99.9% pure gold) and the glass shelf, give the side table a unique look. The two drawers offer plenty of storage space. A railing on three sides prevents products from falling. Towel racks are fitted on the sides. The table sits on rollers with a lock function. A magnifying glass holder is an available option.

Width	65 cm
Depth	45 cm
Height	88 cm
Weight	25 kg
Top shelf	48 x 41,5 cm
Outside drawer height	12 cm and 18 cm respectively
Inside drawer dimensions	48 x 33 x 12 cm and 9 cm respectively

Options

Magnifying glass holder



Fact sheet

Description

The Luxury 2 Side Table White is a real eye-catcher with its distinctive, stylish design. The white high-gloss lacquer, in combination with the chrome-plated metal pipe fittings and the glass shelf, give the side table a unique look. The two drawers offer plenty of storage space. A railing on three sides prevents products from falling. Towel racks are fitted on the sides. The table sits on rollers with a lock function.

Width	65 cm
Depth	47 cm
Height	88 cm
Weight	25 kg
Top shelf	45,5 x 39,5 cm
Outside drawer height	12 cm and 17,5 cm respectively
Inside drawer dimensions	dimensions: 50.5 x 33 x 12.5 cm and 9.5 cm

Options

Magnifying glass holder

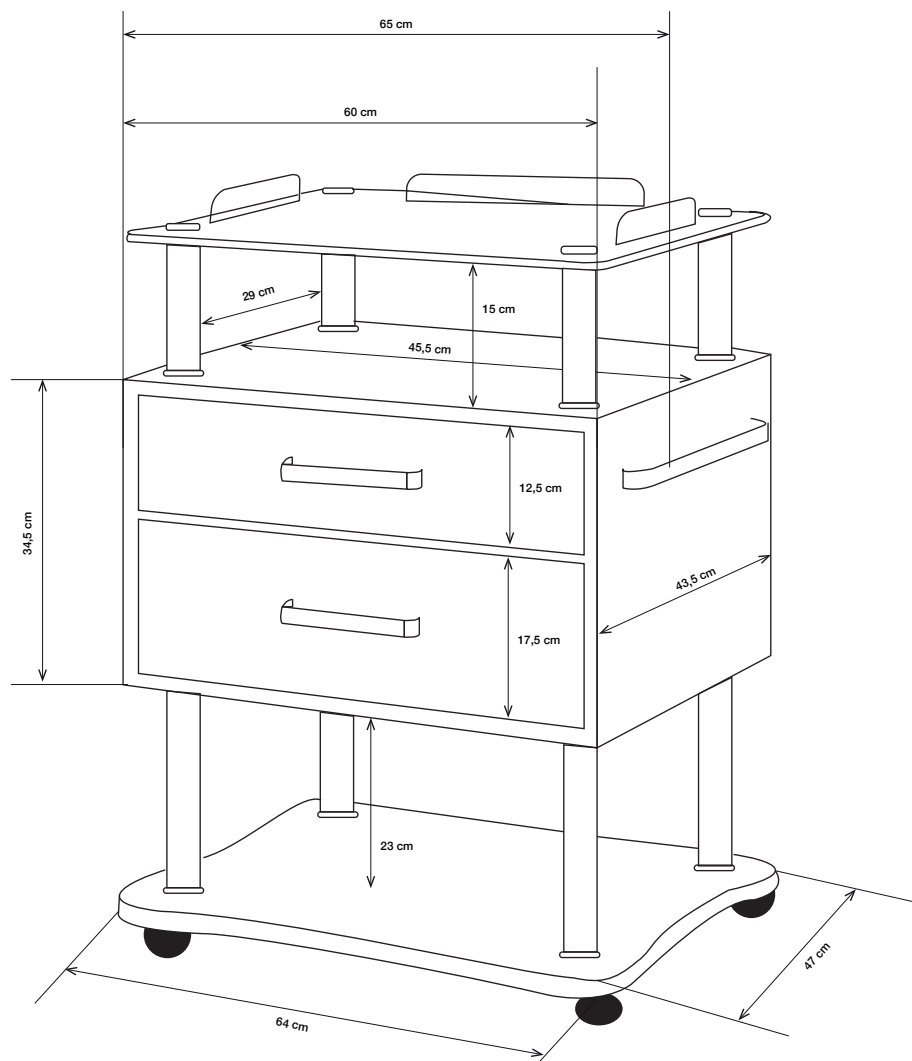
Loea

Equipment : HealthWell

Loea Luxury 2 Side Table White

L12090.1

Measurements



State-of-the-art technology. Functional design. For individual taste. Made in Germany.

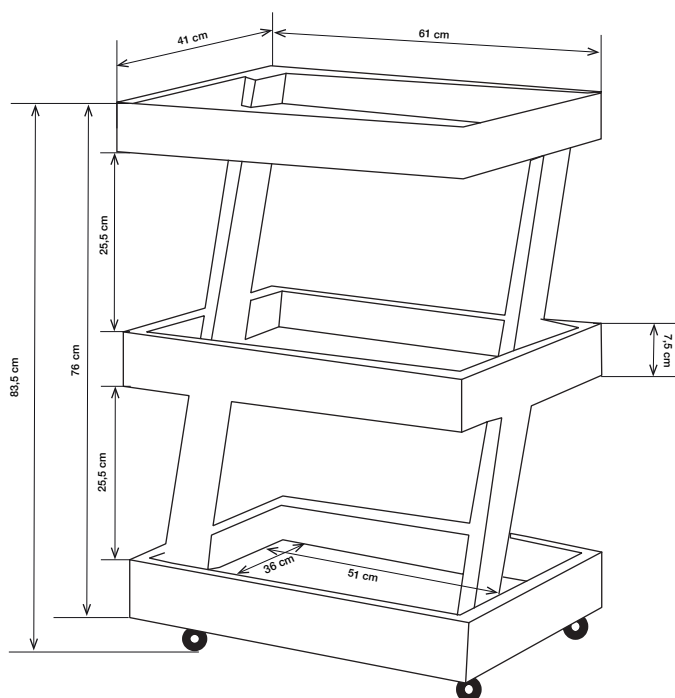


Fact sheet

Description

The Empress I Side Table is made of wood with a white lacquer finish. It has three large storage surfaces. The table sits on rollers.

Width	61 cm
Depth	41 cm
Height	83,5 cm
Weight	20 kg
Shelf size	51 x 36 x 5.5 cm



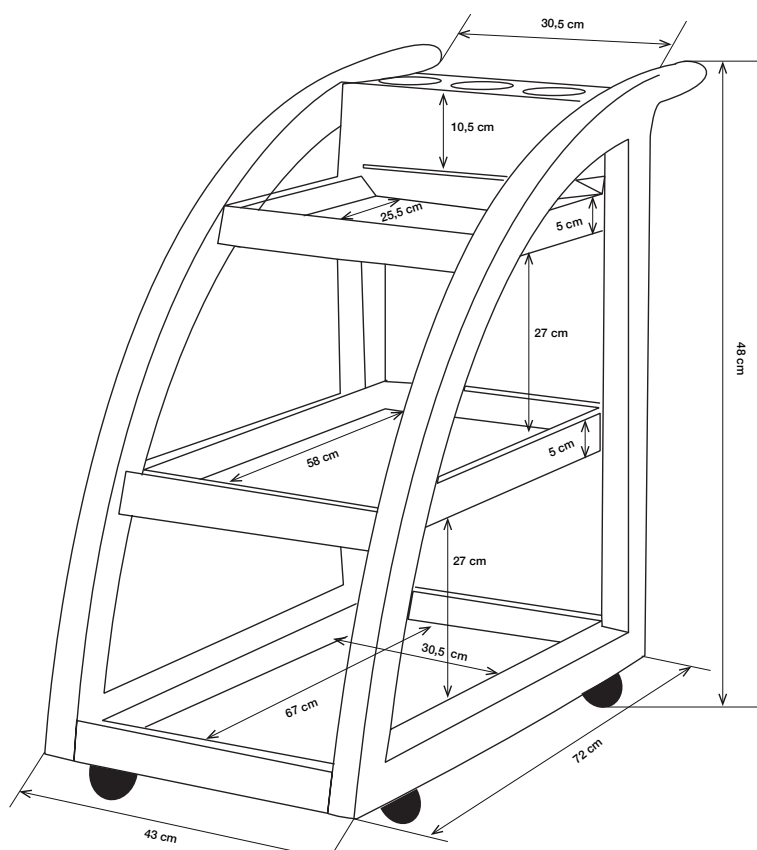


Fact sheet

Description

The Empress II Side Table is made of wood, and its walnut colour perfectly matches the range of Loea Empress massage couches. It has three large shelves. The table sits on rollers.

Width	43 cm
Depth	72 cm
Height	48 cm
Weight	18 kg
Inside shelf size	30.5 x 25.5 cm
Middle shelf	30.5 x 58 cm
Lower shelf	30.5 x 67 cm



Fact sheet

Description

The Soleni Micro-Derma Polishing Machine III is designed to deeply clean the skin on the face, neck and décolleté. It removes dead skin cells, excessive sweat, and makeup residue. It is suitable for massaging the face, neck and body, stimulating circulation and exfoliation. The handpiece's ergonomically designed handle is detachable, allowing the handpiece to be held like a pen. The brush head speed is variable. The unit comes with 3 brush heads, which you can order from us anytime.

Speed	200-700 rpm
Power	30 watts
Control unit dimensions	H 86 mm x W 114 mm x D 183 mm
Handpiece	diameter: 33 mm length: 148 mm weight: 260 g